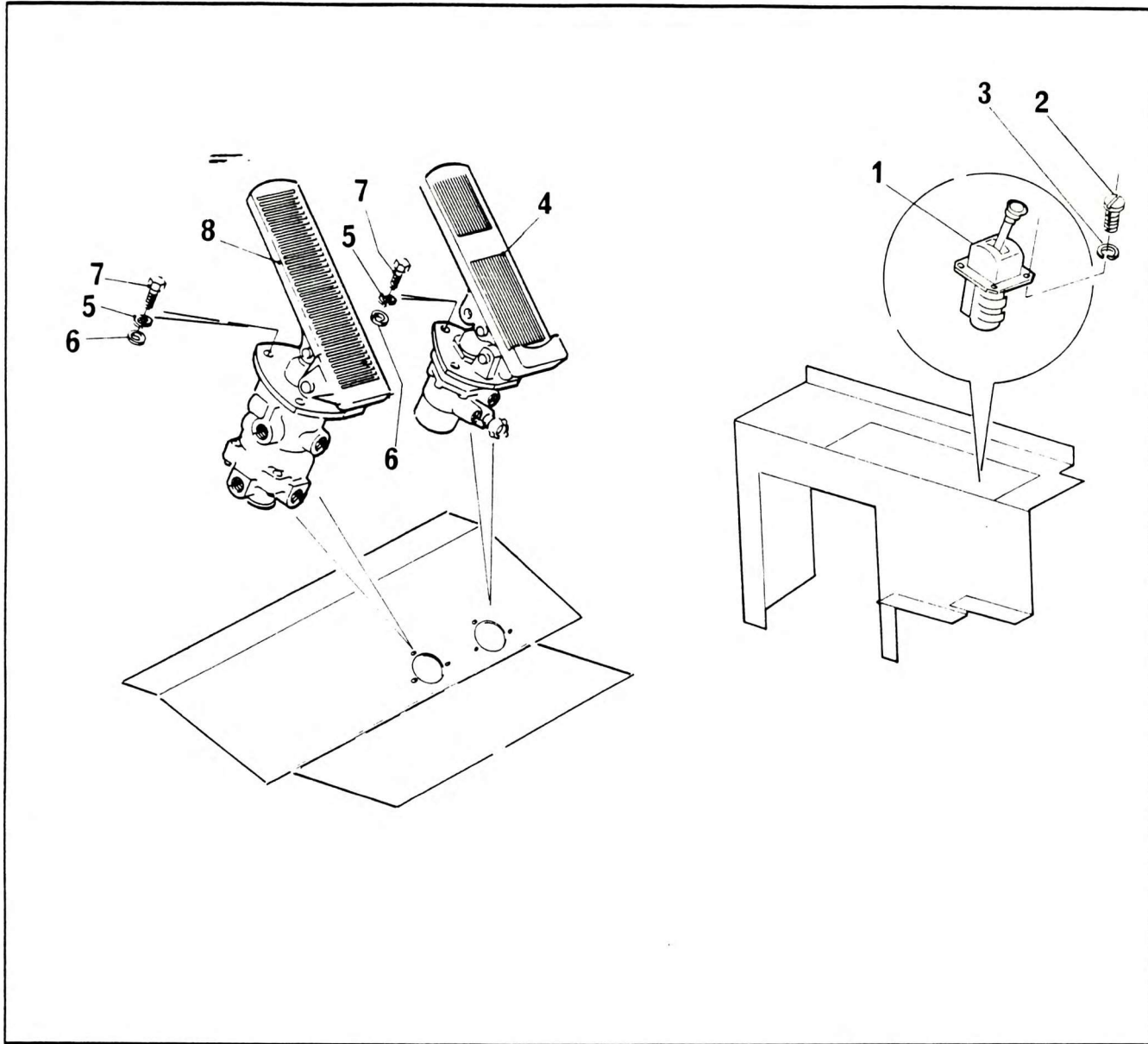


AIR VALVES INSTALL CHASSIS CAB



NO.	PART NO.	QTY.	DESCRIPTION	NO.	PART NO.	QTY.	DESCRIPTION
1 +	6-188-990206	1	Handbrake Control Valve Assy				
2	7-121-171101	4	Screw Pan Head M8 x 20mm Long				
3	7-951-170210	4	Spring Washer Dia. 8 Steel				
4 +	6-188-990207	1	Footbrake Control Valve Assy				
5	7067115	6	Spring Washer M8				
6	7066537	6	Washer Plain M8				
7	7045203	6	Screw Hex Head M8 x 20 Long				
8 +	6-898-990038	1	Air Throttle Pedal Assy				

+ See further breakdown in this group

6-188-990203
Issue No. 04